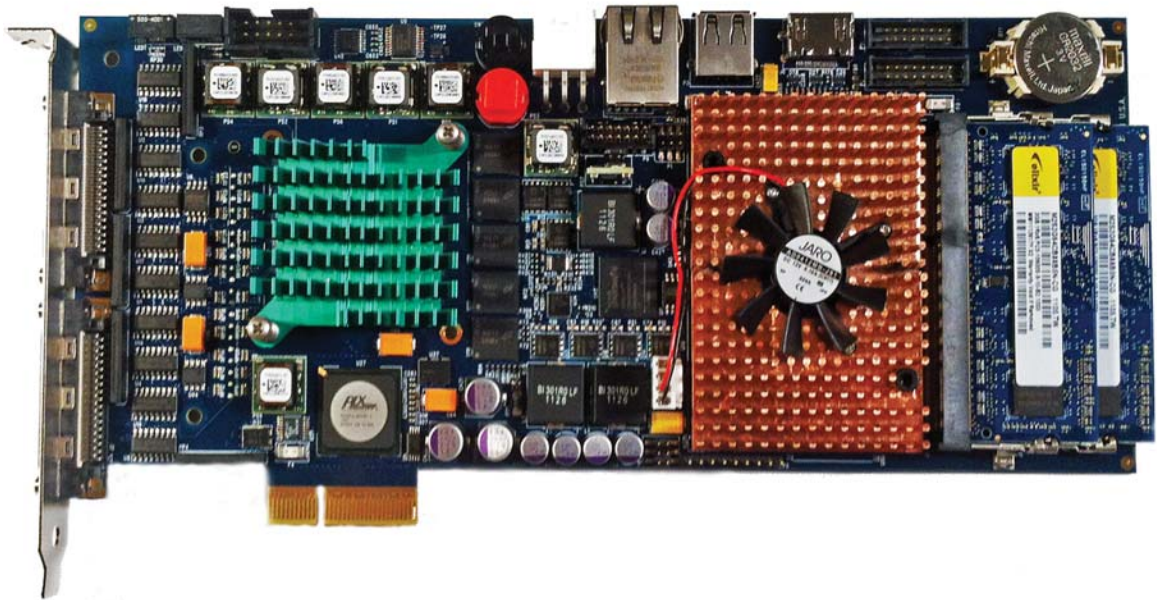




ALACRON

FASTX-APU FRAMEGRABBER

The FastX-APU framegrabber series is for users who anticipate a demand for extreme I/O requirements and/or higher bandwidth, complex image processing and real-time high-speed storage in a cost effective platform. The base FastX-APU, is a two thirds length raw form factor PCIe (X4) Gen2 board with either six basic 85 MHz Camera Link Channels up to two extended full Camera Link camera interfaces. An auxiliary I/O connector provides a header for adaptation of other high speed interfaces such as GigEx4, high speed analog formats such as UXGA or DVI, or CoaXPress. The front-end data is formatted and preprocessed by a Kintex FPGA before being sent to the PCIe (X4) Gen 2 switch to the host or the AMD APU.



FASTX-APU PCIe KEY FEATURES:

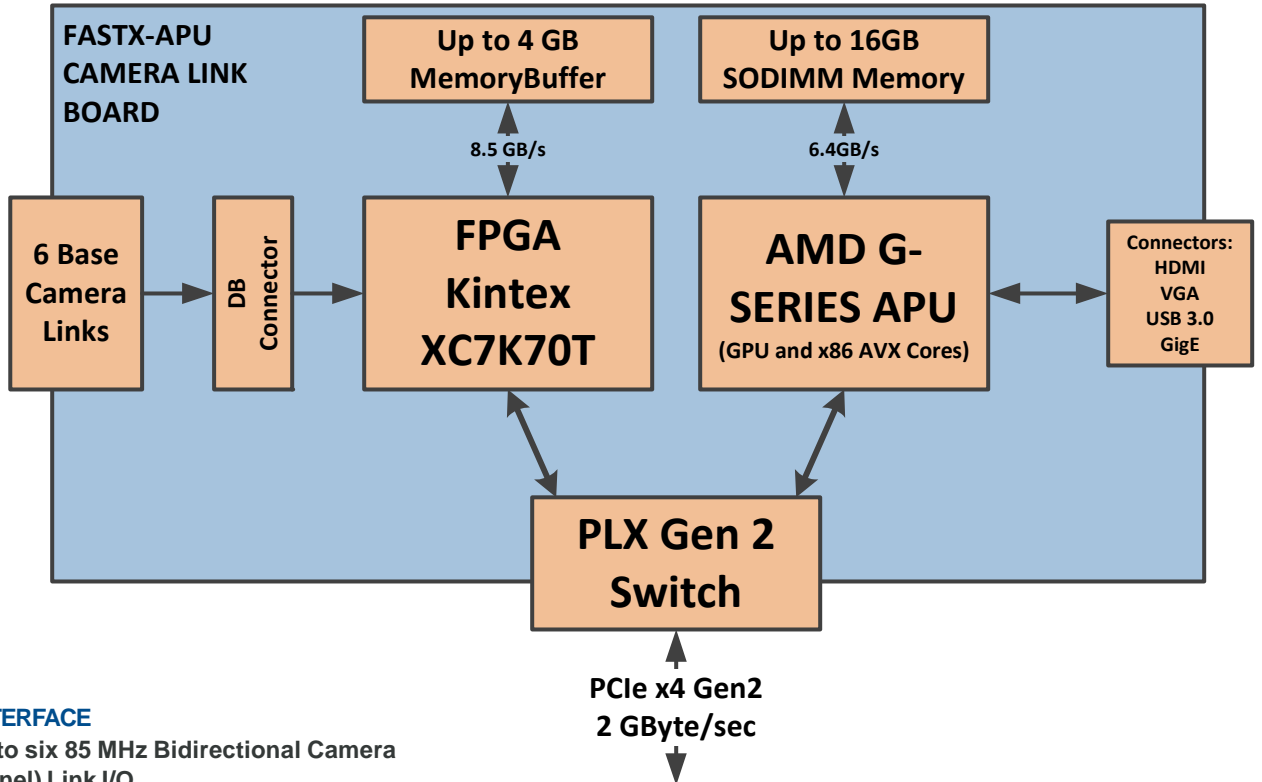
- Raw PCI form factor board with 4 GB dedicated high speed DD2 DRAM for the front end
- Xilinx Kintex FPGA for sustained real-time front-end processing
- The latest AMD G-Series APU with 16 GB of DDR3 memory for real-time compute intensive processing
- Collects data from up to six asynchronous Camera (channel) Links
- Programmable Kintex FPGA for I/O interface configuration and processing
- Four lane PCIe gen 2 bus interface
- Optional high speed I/O interface for alternative input formats such as GigEx4, UXGA/DVI, or CoaXPress
- Supported by industry standard firmware development tools, including fully optimized basic data manipulation, data formatting and image processing routines written in open CL
- Drivers for Windows™ 7, Linux



71 Spit Brook Road, Suite 200, Nashua, NH 03060
T: 603.891.2750 • F: 603.891.2745
E: sales@alacron.com • www.alacron.com



FASTX-APU BOARD OVERVIEW



I/O INTERFACE

- Up to six 85 MHz Bidirectional Camera (channel) Link I/O
- Optional header for other input/output options including digital GigEX4, UXGA or DVI, or CoaXPress

PCI-e INTERFACE

- Data width - four lane PCI-express gen 2
- Peak DMA rate - 2GB/sec bidirectional.

PROCESSOR

- AMD G-Series APU with 16 GB DDR3 DRAM memory

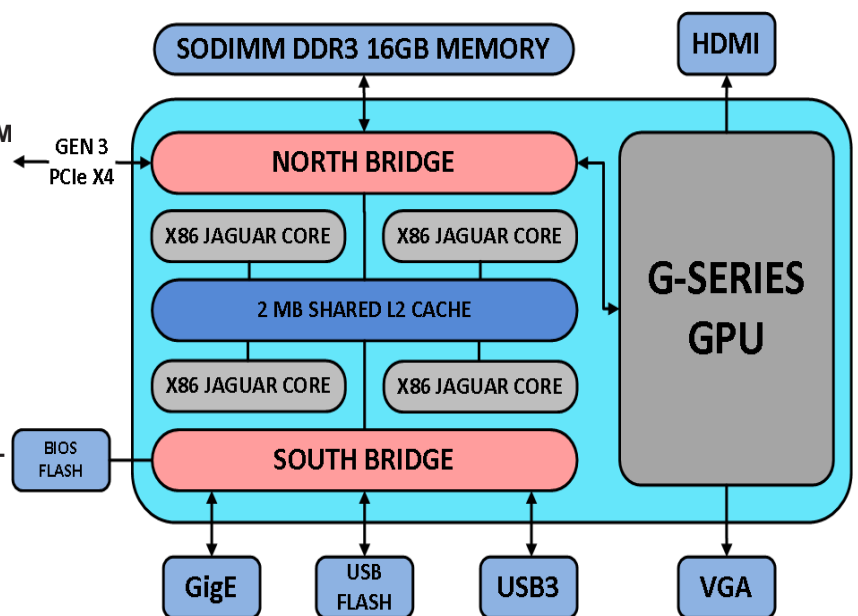
CAMERA CONTROL

- Serial port- Asynch., RS-232 which runs from 75 to 11.2K baud
- Camera Link controls (optional)

FPGA/MEMORY OPTION

- Four GB DDR2 DRAM memory directly connected to the input Kintex FPGA for high-speed input

AMD G-SERIES APU DIAGRAM



71 Spit Brook Road, Suite 200, Nashua, NH 03060
 T: 603.891.2750 • F: 603.891.2745
 E: sales@alacron.com • www.alacron.com